

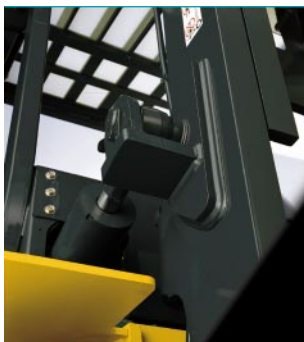
x= FOH + s							Load capacity		
Model		h ₃ mm	h ₁ mm	h ₄ mm	h ₂ /h ₅ mm	α/β °	Single Tyre kg	Double Tyre kg	Mast Weight kg
FD35ZT-8 & FG35ZT-7 c = 500mm	FV FOH=485	3000	2100	4130	150	6/12	3500	3500	890
		3300	2250	4430	150	6/12	3500	3500	+35
		3500	2350	4630	150	6/12	3500	3500	+55
		3700	2450	4830	150	6/12	3500	3500	+75
		4000	2650	5130	150	6/12	3500	3500	+175
		4300	2800	5430	150	6/12	3500	3500	+205
		4500	2900	5630	150	6/12 (6/6)	3500	3500	+225
	5000	3200	6130	150	6/12 (6/6)	3300	3300	+290	
	FFV FOH=510	3000	2100	3830	1325	6/12	3500	3500	990
		3300	2250	4130	1475	6/12	3500	3500	+35
		3500	2350	4330	1575	6/12	3500	3500	+60
	TFV FOH=510	4000	2650	4830	1875	6/12	3500	3500	+170
		4300	2100	5170	1325	6/6	3100	3100	1270
		4500	2200	5370	1425	6/6	3000	3000	+40
		4700	2300	5570	1525	6/6	3000	3000	+65
		5000	2400	5870	1625	6/6	2900	2900	+105
		5500	2550	6370	1775	6/6	2500	2800	+155
	6000	2750	6870	1975	6/6	2000	2600	+275	

FD40ZT-8 & FG40ZT-7 c = 500mm	FV FOH=485	3000	2100	4130	150	6/12	4000	4000	890
		3300	2250	4430	150	6/12	4000	4000	+35
		3500	2350	4630	150	6/12	4000	4000	+55
		3700	2450	4830	150	6/12	4000	4000	+75
		4000	2650	5130	150	6/12	4000	4000	+175
		4300	2800	5430	150	6/12	4000	4000	+205
		4500	2900	5630	150	6/12 (6/6)	4000	4000	+225
	5000	3200	6130	150	6/12 (6/6)	3700	3700	+290	
	FFV FOH=500	3000	2100	3830	1325	6/12	4000	4000	990
		3300	2250	4130	1475	6/12	4000	4000	+35
		3500	2350	4330	1575	6/12	4000	4000	+60
	TFV FOH=510	4000	2650	4830	1875	6/12	4000	4000	+170
		4300	2100	5170	1325	6/6	3500	3500	1270
		4500	2200	5370	1425	6/6	3450	3450	+40
		4700	2300	5570	1525	6/6	3400	3400	+65
		5000	2400	5870	1625	6/6	3300	3300	+105
		5500	2550	6370	1775	6/6	2600	3200	+155
	6000	2750	6870	1975	6/6	2100	3100	+275	

FD50AT-8 & FG50AT-7 c = 600mm	FV FOH=520	3000	2205	4345	145	6/12	5000	5000	1195
		3300	2355	4645	145	6/12	5000	5000	+45
		3500	2455	4845	145	6/12	5000	5000	+75
		3700	2555	5045	145	6/12	5000	5000	+105
		4000	2755	5345	145	6/12	5000	5000	+245
		4300	2905	5645	145	6/12	5000	5000	+275
		4500	3005	5845	145	6/6	5000	5000	+305
	5000	3305	6345	145	6/6	4000	4750	+395	
	FFV FOH=540	3000	2205	4045	1240	6/12	4800	4800	1390
		3300	2355	4345	1390	6/12	4800	4800	+50
		3500	2455	4545	1490	6/12	4800	4800	+80
		4000	2755	5045	1790	6/12	4700	4700	+225
	TFV FOH=545	4300	2355	5440	1405	6/6	4600	4600	1685
		4500	2455	5610	1505	6/6	4500	4500	+40
		4700	2505	5810	1555	6/6	4500	4500	+60
		5000	2605	6110	1655	6/6	4100	4500	+100
		5500	2755	6610	1805	6/6	3100	4400	+160
		6000	2955	7110	2005	6/6	2350	4200	+315
		6500	3205	7610	2255	6/6	1750	3800	+420

CX SERIES

da 3.5 a 5.0 TON



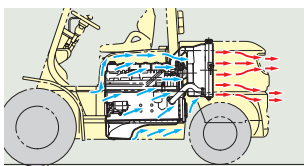
Solid welding and components



Light, effortless steering



Ease of maintenance



Ability to withstand intensive applications

The CX range consists of two families:

- Compact (35Z/40ZT) with a rated capacity at 500mm load centre, designed for use in very small confined spaces such as shipping containers.
- Standard with a rated capacity at 600mm load centre the ideal partner for more intensive operations. The 50AT model can handle up to 5t inside a container.

Both families have been designed around two solid, reliable engines, the TB42 (LPG) and the S6D102E (Diesel), both of which offer powerful torque and emissions that meet current requirements for high levels of productivity at maximum comfort.

The rigidity of the chassis, fitment of a suspended cab on rubber supports (HC), the standard OCS seat and the design of the pedals confer a strong sense of solidity and peace of mind to the operator, who has full control over all operational functions via the multifunctional display with built-in alarms.

Standard on the CX series is the patented KAPS power steering system that is light to operate even when at a standstill, thus preventing deviation between the position of the steering wheel and the wheels.

The transmission, noted for its reliability and smooth operation, is electrically controlled by a lever located to the left of the steering wheel; the 4.5 and 5t models have two electrically controlled forward gears and one reverse gear as standard.

The hydraulically assisted braking system offers a high level of resistance and modulability.

An efficient cooling system with a large capacity radiator ensures the CX can operate reliably even in the most challenging operating environments.

Maintenance time is considerably reduced by careful location of normal servicing components and the exceptionally easy access to the engine compartment.

We offer a complete range of high visibility FV, FFV and TFV masts built to the latest manufacturing standards of rigidity and strength which is applicable also to all other truck componentry.

The following features are standard on all trucks:

- Load Backrest
- Deluxe OCS seat
- Tilttable steering column
- Full lighting system
- Comprehensive instrumentation console with led warning indication
- Double-acting cyclonic air filter
- Choke (LPG) & Cold Start System (diesel)
- In-line transmission oil filter
- Transmission Oil Cooler
- Hydraulic Oil Cooler
- Tow Pin

Do not hesitate to contact your nearest Komatsu Forklift dealer: you will be visited by one of our experts who will analyse your requirements and recommend the best solution for you in terms of investment and application.

Please visit our web site www.komatsuforklift.net to see the complete range of Komatsu Forklift products. You can also register to gain access to the reserved areas of the web site and receive information about new products.

KOMATSU

Part Number: PKS1018EN
Form.No: CX-(7)(8)-S-E-P-05/04

This brochure may contain equipment that are not available in your area. Please consult your Komatsu Forklift distributor for those items you may require. Materials and specifications are subject to change without notice.

Printed in Italy

CX SERIES

3.5 TO 5.0 TON



Gasoline and Diesel Engine Lift Trucks

- Two versions: Standard and Compact for maximum agility and productivity
- Powerful reliable engines for rapid load handling
- Light and precise patented KAPS power steering
- Rigid masts with excellent visibility in all working conditions
- Suspended cab and easy-view instrumentation console for maximum operator comfort
- Reduced maintenance due to exceptionally easy access to internal parts

CX SERIES

3.5 TO 5.0 TON

CHARACTERISTICS	Model Designation				Compact		Compact				
					FG35ZT-7	FG35T-7	FG40ZT-7	FG40T-7	FG45T-7	FG50AT-7	
1.2	Model Designation										
1.3	Power Type^A							LPG			
1.4	Operation Type^B							Sitting			
1.5	Rated Capacity		Q	mm	3500 ⁽¹⁾		4000 ⁽¹⁾		4500 ⁽¹⁾	5000 ⁽²⁾	
1.6	Load Center		c	mm	500	600 ⁽¹⁾	500	600 ⁽¹⁾	600 ⁽¹⁾	600 ⁽¹⁾	
1.8	Load Distance^C		x	mm	530	570	530	575	585	575	
1.9	Wheelbase		y	mm	1800	2000	1800	2000			
WEIGHTS	Service Weight			kg	5260	5645	5580	6070	6625	7240	
2.2	Axle Loading	Loaded	Front	kg	7795	8070	8505	8830	9855	10820	
2.2.1			Rear	kg	965	1075	1075	1240	1270	1420	
2.3		Unloaded	Front	kg	2290	2520	2215	2480	2690	2880	
2.3.1			Rear	kg	2970	3125	3365	3590	3935	4360	
TYRES		Tyre Type^D				Pneumatic					
3.2	Tyre Size	Front			250-15-16PR(I)	8.25-15-12PR(I)	250-15-16PR(I)	300-15-18PR(I)			
3.3		Rear			7.00-12-12PR(I)					7.00-12-14PR(I)	
3.5	Number of Wheel: Front/Rear(x-driven)				2x/2						
3.6	Tread, Front	b10	mm		1115			1150			
3.7	Tread, Rear	b11	mm		1120						
DIMENSIONS	Tilting Angle		α/β	°	6/12						
4.2	Mast Height, Lowered		h1	mm	2100	2105	2100	2205			
4.3	Std. Free Lift		h2	mm	150			155	140	145	
4.4	Std. Lift Height		h3 (1)	mm	3000						
4.5	Mast Height, extended		h4	mm	4130				4345		
4.7	Height, Overhead Guard		h6	mm	2150	2240	2150	2240			
4.19	Length, with Std. Forks		l1	mm	3970	4150	4020	4215	4265	4435	
4.20	Length, to Fork Face		l2	mm	2900	3080	2950	3145	3195	3215	
4.21	Width, at Tyre		b1		1350			1450			
4.22	Forks: Thickness/Width/Length		s/e/l	mm	50x150x1070						55x150x1220
4.23	Fork Carriage Class^E				Class 3, Type A						Class 4, Type A
4.24	Width, Fork Carriage		b3	mm	1190						1270
4.31	Ground Clearance	Under Mast	m1	mm	140	145	140	145			
4.32		at Center of Wheelbase	m2		175	230	175	230			
4.33	Right Angle Stacking Aisle	1000x1200 pallet mm	Ast	mm	4060	4300	4110	4345	4405	4425	
4.34		1200x800 pallet mm	Ast	mm	4260	4500	4310	4545	4605	4625	
4.35	Turning Radius		Wa	mm	2530	2730	2580	2770	2820	2850	
PERFORMANCES	Travel speed (FWD)	Loaded	1st/2nd/3rd	km/h	18.5				15.5/23.0		
5.1.1		Unloaded	1st/2nd/3rd	km/h	19.5				16.5/24.0		
5.2	Lifting Speed	Loaded/Unloaded		mm/s	450/480				390/410		
5.3	Lowering Speed	Loaded/Unloaded		mm/s	480/550				450/520		
5.6	Drawbar Pull	Loaded at 1.5km/h		kN	25	24	25	24	29		
IC ENGINE	Gradeability	Loaded at 1.5km/h		%	29	27	27	24	26		
5.10	Service Brake	Operation/Control			Foot/Hydraulic						
5.11	Parking Brake	Operation/Control			Hand/Mechanical						
5.12	Steering				Komatsu Advanced Power Steering						
6.4	Battery	Voltage/Capacity ^F		V/Ah	12/48						
7.1	Maker/Model				NISSAN/TB42						
7.2	Output SAE gross			kW @ min -1	63@2100						
7.3											
7.3.1	Max. Torque, SAE gross			Nm @ min -1	275@1900						
7.4	Num. of Cylinder, Displacement			# / cm3	6/4169						
7.6	Fuel Tank Capacity			Ltr	80						
OTHERS	Relief Pressure for Attachment			bar	181						
8.2.1	Tank Capacity			Ltr	55						
8.6	Clutch				Torque Converter						
8.7	Transmission				TORQFLOW						

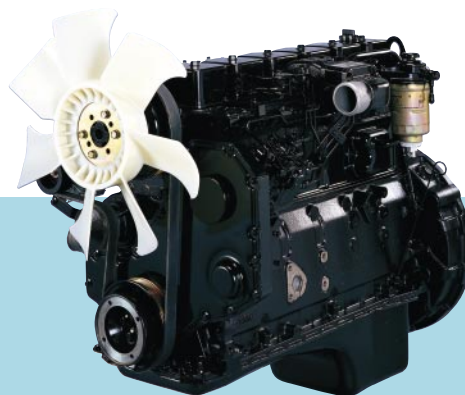
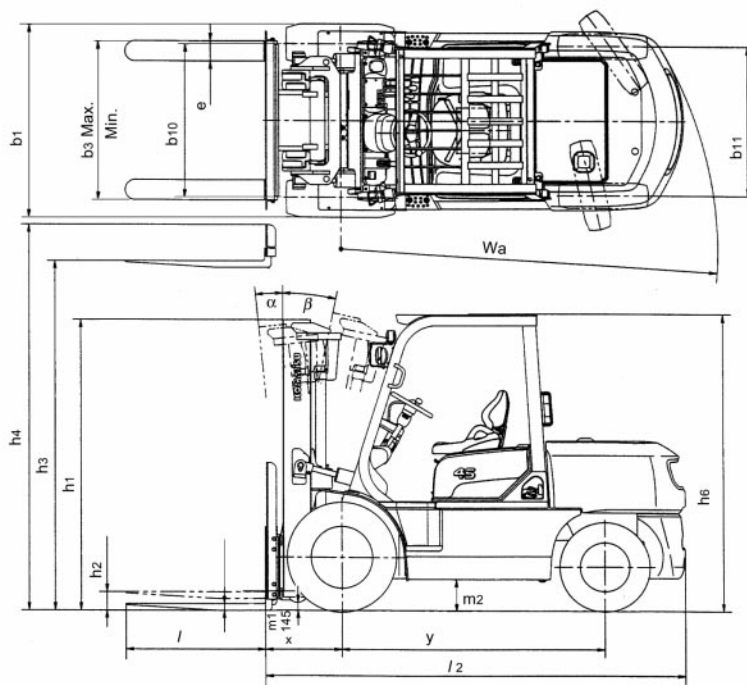
A= Electric, Diesel, Gasoline, LPG, Cable
B= Pedestrian, Driver Standing, Sitting, Order Picking

C= Front axle center to fork face
D= Cushion, Elastic Cushion, Pneumatic, Polyurethane

E= ISO 2328, Type A/B
F= at 5-hour rating

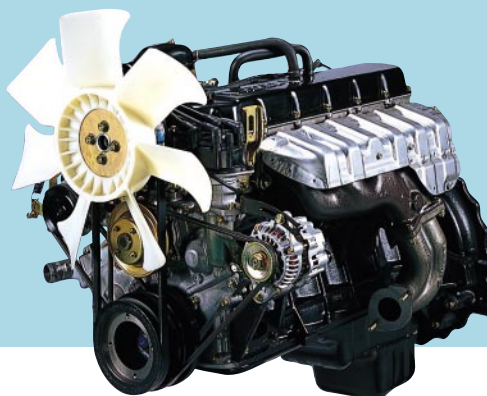
(1) Load center 500mm -> + 500kg
(2) Load Center 500mm -> 5000kg

Compact		Compact			
FD35ZT-8	FD35T-8	FD40ZT-8	FD40T-8	FD45T-8	FD50AT-8
LPG					
Sitting					
3500 ⁽¹⁾		4000 ⁽¹⁾		4500 ⁽¹⁾	5000 ⁽²⁾
500	600 ⁽¹⁾	500	600 ⁽¹⁾	600 ⁽¹⁾	600 ⁽²⁾
530	570	530	575	585	575
1800	2000	1800	2000		2200
5430	5835	5750	6285	6840	7030
7850	8135	8555	8910	9930	10690
1080	1200	1195	1375	1410	1340
2380	2585	2295	2560	2770	3020
3050	3250	3455	3725	4070	4010
Pneumatic					
250-15-16PR(I)		8.25-15-12PR(I)		250-15-16PR(I)	
7.00-12-12PR(I)					
2x/2					
1115			1150		
1120					
6/12					
2100	2105	2100	2105	2205	
150		155		140	145
3000					
4130					4345
2190	2240	2150	2240		
3970	4150	4020	4215	4265	4605
2900	3080	2950	3145	3195	3385
1350				1450	
50x150x1070					55x150x1220
Class 3, Type A					Class 4, Type A
1190					1270
140	145	140	145		
185	230	185	230		
4060	4300	4110	4345	4405	4625
4260	4500	4310	4545	4605	4825
2530	2730	2580	2770	2820	3050
18.5				15.5/23.0	
19.5				16.5/24.0	
530/570				460/490	
480/550				450/520	
28				33	
34	31	32	28	30	28
Foot/Hydraulic					
Hand/Mechanical					
Komatsu Advanced Power Steering					
24/56					
KOMATSU/S6D102E					
70@2150					
372@1000					
6/5880					
90					
181					
55					
Torque Converter					
TORQFLOW					



KOMATSU S6D102E
71kW@2,150rpm
5,880cm³

TB42
62.5kW@2,100rpm
4,169cm³



KOMATSU

WWW.KOMATSUFORKLIFT.NET

		x= FOH + s					Load capacity		
Model		h ₃ mm	h ₁ mm	h ₄ mm	h ₂ /h ₅ mm	α/β °	Single Tyre kg	Double Tyre kg	Mast Weight kg
FD35T-8 & FG35T-7 c = 600mm	FV FOH=525	3000	2105	4130	150	6/12	3500	3500	900
		3300	2255	4430	150	6/12	3500	3500	+30
		3500	2355	4630	150	6/12	3500	3500	+55
		3700	2455	4830	150	6/12	3500	3500	+75
		4000	2655	5130	150	6/12	3500	3500	+170
		4300	2805	5430	150	6/12	3500	3500	+200
		4500	2905	5630	150	6/12 (6/6)	3500	3500	+225
		5000	3205	6130	150	6/12 (6/6)	2800	3400	+290
	FFV FOH=540	3000	2105	3835	1325	6/12	3500	3500	1000
		3300	2255	4135	1475	6/12	3500	3500	+35
		3500	2355	4335	1575	6/12	3500	3500	+60
		4000	2655	4835	1875	6/12	3500	3500	+165
	TFV FOH=545	4300	2105	5170	1330	6/6	3400	3400	1275
		4500	2205	5370	1430	6/6	3000	3400	+40
		4700	2305	5570	1530	6/6	2500	3400	+65
		5000	2405	5870	1630	6/6	2400	3300	+105
		5500	2555	6370	1730	6/6	1700	3200	+155
		6000	2755	6870	1930	6/6	1600	3000	+275

FD40T-8 & FG40T-7 c = 600mm	FV FOH=525	3000	2105	4130	155	6/12	4000	4000	900
		3300	2255	4430	155	6/12	4000	4000	+35
		3500	2355	4630	155	6/12	4000	4000	+55
		3700	2455	4830	155	6/12	4000	4000	+75
		4000	2655	5130	155	6/12	4000	4000	+175
		4300	2805	5430	155	6/12	4000	4000	+200
		4500	2905	5630	155	6/12 (6/6)	4000	4000	+225
		5000	3205	6130	155	6/12 (6/6)	4000	4000	+290
	FFV FOH=540	3000	2105	3835	1330	6/12	4000	4000	1000
		3300	2255	4135	1480	6/12	4000	4000	+35
		3500	2355	4335	1580	6/12	4000	4000	+60
		4000	2655	4835	1880	6/12	4000	4000	+165
	TFV FOH=545	4300	2105	5170	1335	6/6	4000	4000	1275
		4500	2205	5370	1435	6/6	4000	4000	+40
		4700	2305	5570	1535	6/6	3800	3800	+65
		5000	2405	5870	1635	6/6	3500	3700	+105
		5500	2555	6370	1735	6/6	2800	3500	+155
		6000	2755	6870	1935	6/6	2200	3300	+275

FD45T-8 & FG45T-7 c = 600mm	FV FOH=535	3000	2205	4130	140	6/12	4500	4500	1145
		3300	2355	4430	140	6/12	4500	4500	+45
		3500	2455	4630	140	6/12	4500	4500	+75
		3700	2555	4830	140	6/12	4500	4500	+105
		4000	2755	5130	140	6/12	4500	4500	+245
		4300	2905	5430	140	6/12 (6/6)	4500	4500	+275
		4500	3005	5630	140	6/12 (6/6)	4500	4500	+305
		5000	3305	6130	140	6/12 (6/6)	4000	4300	+395
	FFV FOH=560	3000	2205	3930	1345	6/12	4500	4500	1300
		3300	2355	4230	1495	6/12	4500	4500	+50
		3500	2455	4430	1595	6/12	4500	4500	+80
		4000	2755	4930	1895	6/12	4500	4500	+225
	TFV FOH=545	4300	2205	5270	1385	6/6	4400	4400	1530
		4500	2305	5470	1485	6/6	4250	4250	+40
		4700	2355	5670	1535	6/6	4200	4200	+65
		5000	2455	5970	1635	6/6	4100	4100	+105
		5500	2605	6470	1785	6/6	3000	4000	+165
		6000	2805	6970	1985	6/6	2300	3800	+325
6500	3055	7470	2235	6/6	1800	3500	+435		