

		x= FOH + s					Load capacity		
Model		h ₃ mm	h ₁ mm	h ₄ mm	h ₂ /h ₅ mm	α/β °	Single Tyre kg	Double Tyre kg	Mast Weight kg
FD70T-8 & FG70T-7 c = 600mm	FV FOH=610	3000	2585	4350	220	6/12	-----	7000	1540
		3300	2735	4650	220	6/12	-----	7000	+50
		3500	2835	4850	220	6/12	-----	7000	+80
		3700	2935	5050	220	6/12	-----	7000	+150
		4000	3085	5350	220	6/12	-----	7000	+265
		4300	3235	5650	220	6/12	-----	7000	+315
		4500	3435	5850	220	6/12	-----	7000	+385
		5000	3785	6350	220	6/12	-----	7000	+590
	5500	4135	6850	220	6/12	-----	6700	+710	
	TFV FOH=675	4300	2500	5685	1225	6/6	-----	6400	2150
		4500	2550	5885	1275	6/6	-----	6400	+30
		5000	2750	6385	1475	6/6	-----	6300	+130
		5500	2950	6885	1675	6/6	-----	6100	+335
		6000	3150	7385	1875	6/6	-----	5500	+435

		x= FOH + s					Load capacity		
Model		h ₃ mm	h ₁ mm	h ₄ mm	h ₂ /h ₅ mm	α/β °	Single Tyre kg	Double Tyre kg	Mast Weight kg
FD80T-8 c = 600mm	FV FOH=520	3000	2710	4350	220	6/12	-----	8000	2010
		3300	2860	4650	220	6/12	-----	8000	+60
		3500	2960	4850	220	6/12	-----	8000	+95
		3700	3060	5050	220	6/12	-----	8000	+170
		4000	3210	5350	220	6/12	-----	8000	+305
		4300	3360	5650	220	6/12	-----	8000	+360
		4500	3560	5850	220	6/12	-----	8000	+440
		5000	3910	6350	220	6/12	-----	8000	+675
	5500	4260	6850	220	6/12	-----	7700	+815	
	TFV FOH=610	4300	2705	5685	1430	6/6	-----	7200	2770
		4500	2755	5885	1480	6/6	-----	7200	+30
		5000	2955	6385	1680	6/6	-----	7000	+150
		5500	3155	6885	1880	6/6	-----	6500	+375
		6000	3355	7385	2080	6/6	-----	5900	+555



DX20 SERIES

5.0 TO 8.0 TON



Electrically controlled transmission



Reduced turning radius



Easy maintenance



Solid, efficient design

The DX20 series has been designed by Komatsu engineers to be the main contender in the 5t - 8t IC engine forklift truck market.

The engineers focused on creating a comfortable working environment, standardizing the following functions:

- Suspended cab on hydraulic mounts (HSC)
- Semi suspension adjustable seat
- Integrated full instrumentation console with warning indicators
- Electrically controlled transmission direction selector lever
- Large size foot pedals

The machines provide the operator maximum confidence, which is of the utmost importance when working long hours.

The heart of the truck is its powerful and reliable Diesel S(A)6D102E or LPG TB42 engine, both of which provide powerful torque with the lowest noise levels in their category. The FD80T-8 model has been further enhanced with an aftercooler that can be calibrated to generate 96kW of power and torque of 466Nm!

The hydraulic transmission features two gears in each direction of travel, permitting speeds up to 31 km/h when unladen and with powerful but gradual acceleration due to the conical clutch and modulation valve.

The cooling system has been engineered to sustain extensive use and includes a large capacity fan and radiator system that constantly maintains fluid temperatures within permissible limits.

The rear axle has been designed to provide very sharp steering angles with a small turning radius.

There are two braking systems depending upon the capacity of the truck both ensuring the correct performance

of strength and power. The 5t. to 7t models feature a vacuum based HydraMaster braking system, while the FD80T-8 model has a full hydraulic power braking system. Both braking solutions include an accumulator that guarantees safe and secure braking even when the engine is switched off.

A tandem hydraulic pump connected to the transmission separately powers either the lift or the full hydraulic power steering system, offering the fastest lift speeds in their category and steering that is always light and easy.

The chassis and mast sections have been designed for strength and rigidity including careful design and location of welded joints. The excellent visibility through the mast is a source of pride for this DX20 series.

The following features are standard on all trucks:

- Deluxe OCS semi suspension adjustable seat
- Tiltable steering column
- Full lighting system
- Comprehensive instrumentation console with warning indicators
- Double-acting cyclonic air filter
- Choke (LPG) & Cold start facility GGS (diesel)
- Transmission Oil Cooler
- Tow Pin

Do not hesitate to contact your nearest Komatsu Forklift dealer: you will be visited by one of our experts who will analyse your requirements and recommend the best solution for you in terms of investment and application.

Please visit our web site www.komatsuforklift.net to see the complete range of Komatsu Forklift products. You can also register to gain access to the reserved areas of the web site and receive information about new products.

KOMATSU

Part Number: PKSI019EN
Form.No: DX20-(7)(8)-S-E-P-05/04

This brochure may contain equipment that are not available in your area. Please consult your Komatsu Forklift distributor for those items you may require. Materials and specifications are subject to change without notice.

DX20 SERIES

5.0 TO 8.0 TON



Gasoline and Diesel Engine Lift Trucks

- Powerful engines and efficient hydraulic system for rapid handling of loads
- Smaller turning radius for maximum agility
- Two electrically controlled gears in each direction of travel
- Solid design that provides excellent visibility in all conditions
- Suspended cab, full instrumentation console and lower noise levels for maximum operator comfort
- Reduced maintenance due to exceptionally easy access to componentry

DX20 SERIES

5.0 TO 8.0 TON

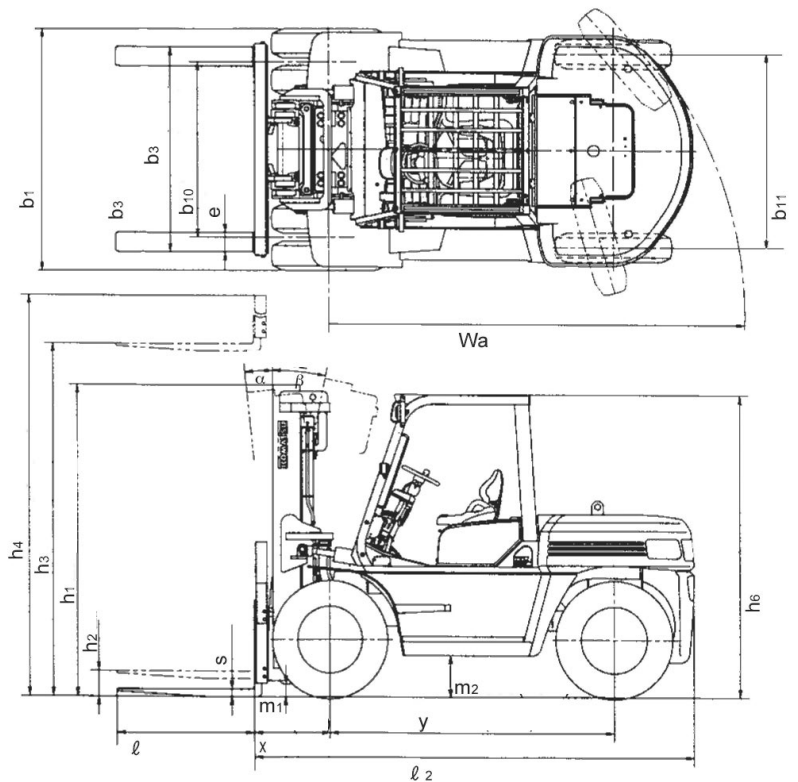
CHARACTERISTICS	1.2	Model Designation			FG50T-7	FG60T-7	FG70T-7	
	1.3	Power Type ^A			Gasoline			
	1.4	Operation Type ^B			Sitting			
	1.5	Rated Capacity	Q	kg	5000	6000	7000	
	1.6	Load Center	c	mm	600			
	1.8	Load Distance ^C	x	mm	570	575	585	
	1.9	Wheelbase	y	mm	2300			
WEIGHTS	2.1	Service Weight		kg	7340	8200	9000	
	2.2	Axle Loading	Loaded	Front	kg	11105	12705	14225
	2.2.1			Rear	kg	1235	1495	1775
	2.3		Unloaded	Front	kg	3560	3640	3620
	2.3.1			Rear	kg	3780	4560	5380
TYRES	3.1	Tyre Type ^D			Pneumatic			
	3.2	Tyre Size	Front		300-15-18PR	8.25-15-12PR	8.25-15-14PR	
	3.3		Rear		8.25-15-12PR		8.25-15-14PR	
	3.5	Number of Wheel: Front/Rear(x=driven)			2x/2	4x/2		
	3.6	Tread, Front	b10	mm	1580	1450		
	3.7	Tread, Rear	b11	mm	1640			
DIMENSIONS	4.1	Tilting Angle	α/β	°	6/12			
	4.2	Mast Height, Lowered	h1	mm	2500		2585	
	4.3	Std. Free Lift	h2	mm	210	215	220	
	4.4	Std. Lift Height	h3 ⁽¹⁾	mm	3000			
	4.5	Mast Height, extended	h4	mm	4350			
	4.7	Height, Overhead Guard	h6	mm	2440			
	4.19	Length, with Std. Forks	l1	mm	4690	4695	4785	
	4.20	Length, to Fork Face	l2	mm	3470	3475	3565	
	4.21	Width, at Tyre	b1		1880	1960	1960	
	4.22	Forks: Thickness/Width/Length	s/e/l	mm	55x150x1220	60x150x1220	65x150x1220	
	4.23	Fork Carriage Class ^E			Class 4, Type A			
	4.24	Width, Fork Carriage	b3	mm	1700			
	4.31	Ground Clearance	Under Mast	m1	mm	225		
	4.32		at Center of Wheelbase	m2	mm	280	285	
	4.33	Right Angle Stacking Aisle	1000x1200 pallet mm	Ast	mm	5040	5045	3935
	4.34		1200x800 pallet mm	Ast	mm	-		
	4.35	Turning Radius	Wa	mm	3250		3350	
PERFORMANCES	5.1	Travel speed (FWD)	Loaded	1st/2nd/3rd	km/h	11.0/28.0		
	5.1.1		Unloaded	1st/2nd/3rd	km/h	12.0/31.0		
	5.2	Lifting Speed	Loaded/Unloaded		mm/s	420/430	365/390	
	5.3	Lowering Speed	Loaded/Unloaded		mm/s	550/580	500/550	
	5.6	Drawbar Pull	Loaded at 1.5km/h		kN	55	54	55
IC ENGINE	5.8	Gradeability	Loaded at 1.5km/h		%	52	44	38
	5.10	Service Brake	Operation/Control			Foot/Hydraulic		
	5.11	Parking Brake	Operation/Control			Hand/Mechanical		
	5.12	Steering				FHPS		
	6.4	Battery	Voltage/Capacity at 5-hour rating		V/Ah	12/48		
	7.1	Maker/Model				NISSAN/TB42		
	7.2	Output SAE gross			kW @ min -1	66		
	7.3					2300		
	7.3.1	Max. Torque, SAE gross			Nm @ min -1	275@1900		
	7.4	Num. of Cylinder, Displacement			# / cm3	6/4169		
	7.6	Fuel Tank Capacity			Ltr	140		
OTHERS	8.2	Relief Pressure for Attachment			bar	181		
	8.2.1	Tank Capacity			Ltr	70		
	8.6	Clutch				Torque Converter		
	8.7	Transmission				TORQFLOW		

A= Electric, Diesel, Gasoline, LPG, Cable
B= Pedestrian, Driver Standing, Sitting, Order Picking

C= Front axle center to fork face
D= Cushion, Elastic Cushion, Pneumatic, Polyurethane

E= ISO 2328, Type A/B

FD50T-8	FD60T-8	FD70T-8	FD80T-8
Diesel			
Sitting			
5000	6000	7000	8000
600			
570	575	585	675
2300			
7645	8445	9245	10870
11225	12795	14330	16820
1420	1650	1915	2050
3685	3730	3725	4740
3960	4715	5520	6130
Pneumatic			
300-15-18PR	8.25-15-12PR	8.25-15-14PR	9.00-20-12PR
8.25-15-12PR		8.25-15-14PR	9.00-20-12PR
2x/2		4x/2	
1580	1450		1540
1640			
6/12			
2500	2585		2710
210	215		220
3000			
4350			
2440			
4690	4695	4785	5095
3470	3475	3565	3875
1880	1960	1960	2120
55x150x1220	60x150x1220	65x150x1220	65x170x1220
Class 4, Type A			
1700			
225			
280	285		335
5040	5045	5155	5495
-			
3250		3350	
11.0/30.0		12.0/28.0	
12.0/32.0		12.0/32.0	
530/560	500/560	450/500	455/500
550/580		500/550	
49	46	46	67
43	35	30	39
Foot/Hydraulic			
Hand/Mechanical			
FHPS			
24/56			
KOMATSU/S6D102E		KOMATSU/SA6D102E	
77		96	
2250			
392@1000		431@1000	
6/5880			
140			
181			
70			
Torque Converter			
TORQFLOW			



		x= FOH + s					Load capacity		
Model		h ₃ mm	h ₁ mm	h ₄ mm	h ₂ /h ₅ mm	α/β °	Single Tyre kg	Double Tyre kg	Mast Weight kg
FD50T-8 & FG50T-7 c = 600mm	FV FOH=515	3000	2500	4350	210	6/12	5000	5000	1480
		3300	2650	4650	210	6/12	5000	5000	+50
		3500	2750	4850	210	6/12	5000	5000	+80
		3700	2850	5050	210	6/12	5000	5000	+145
		4000	3000	5350	210	6/12	5000	5000	+270
		4300	3150	5650	210	6/12	5000	5000	+320
		4500	3350	5850	210	6/12	5000	5000	+385
		5000	3700	6350	210	6/12	5000	5000	+590
		5500	4050	6850	210	6/12	4750	4750	+705
	TFV FOH=605	4300	2500	5685	1215	6/6	4500	4500	2140
		4500	2550	5885	1270	6/6	4500	4500	+30
		5000	2750	6385	1470	6/6	4300	4300	+130
		5500	2950	6885	1670	6/6	4300	4300	+335
		6000	3150	7385	1870	6/6	4100	4100	+435

		x= FOH + s					Load capacity		
Model		h ₃ mm	h ₁ mm	h ₄ mm	h ₂ /h ₅ mm	α/β °	Single Tyre kg	Double Tyre kg	Mast Weight kg
FD60T-8 & FG60T-7 c = 600mm	FV FOH=515	3000	2500	4350	215	6/12	-----	6000	1480
		3300	2650	4650	215	6/12	-----	6000	+50
		3500	2750	4850	215	6/12	-----	6000	+80
		3700	2850	5050	215	6/12	-----	6000	+145
		4000	3000	5350	215	6/12	-----	6000	+270
		4300	3150	5650	215	6/12	-----	6000	+320
		4500	3350	5850	215	6/12	-----	6000	+385
		5000	3700	6350	215	6/12	-----	6000	+590
		5500	4050	6850	215	6/12	-----	6000	+705
	TFV FOH=605	4300	2500	5685	1215	6/6	-----	5500	2140
		4500	2550	5885	1270	6/6	-----	5500	+30
		5000	2750	6385	1470	6/6	-----	5400	+130
		5500	2950	6885	1670	6/6	-----	5200	+335
		6000	3150	7385	1870	6/6	-----	4800	+435



KOMATSU